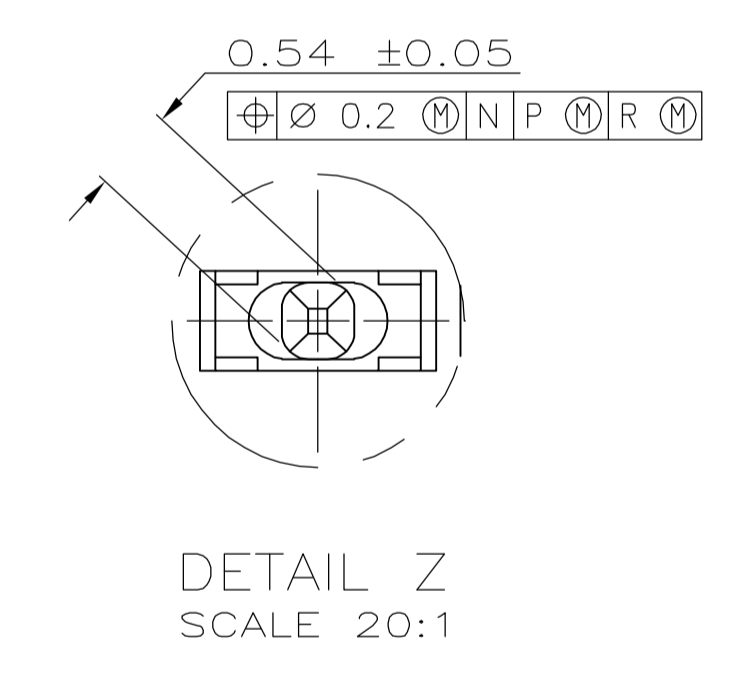


- △ HOUSING MATERIAL: LIQUID CRYSTAL POLYMER PER ASTM D5138 LCP000 G30A 32250, COLOR: NATURAL.
- △ CONTACT MATERIAL: PHOSPHOR BRONZE.
- △ CONTACT FINISH:
 UNDERPLATE (ENTIRE CONTACT):
 0.00127 MIN NICKEL.
 ON MATING SURFACES:
 CONFORMS TO ALL TESTING SPECIFIED FOR TELCORDIA UNCONTROLLED ENVIRONMENT.
 ON LEADS:
 0.0006 MIN TIN-LEAD OVER UNDERPLATE.
 LUBRICATION (ENTIRE CONTACT):
 SURFACE CONDITIONER PER AMP SPEC 112-1002 AFTER PLATING.
- △ PART MARKING PER AMP INCORPORATED SPECIFICATION 115-9009, LOCATED APPROXIMATELY AS SHOWN.
- △ DIMENSION APPLIES WHEN SEATED ON PRINTED CIRCUIT BOARD.



RECOMMENDED CIRCUIT PATTERN
 PER IPC-D300 TYPE II, CLASS C
 (COMPONENT SIDE)

10	5	11.88	△	24	536524-9	
-	-	-	-	-	-	
OBSOLETE	58	29	59.88	△	120	536524-6
-	-	-	-	-	-	
94	47	95.88	△	192	536524-4	
46	23	47.88	△	96	536524-3	
22	11	23.88	△	48	536524-2	
118	59	119.88	△	240	536524-1	
C	B	A	FINISH	NO OF POSN	PART NUMBER	

THIS DRAWING IS A CONTROLLED DOCUMENT.

DIMENSIONS:	TOLERANCES UNLESS OTHERWISE SPECIFIED:	DIN	05/26/94		Tyco Electronics Corporation Harrisburg, PA 17105-3608
mm	0 PLC ± - 1 PLC ± - 2 PLC ± 0.13 3 PLC ± - 4 PLC ± - ANGLES ± -	CHK	05/31/94		NAME
MATERIAL	FINISH	APVD	-	PRODUCT SPEC	-
		APPLICATION SPEC	-	SIZE	A1
		WEIGHT	-	CAGE CODE	00779
		CUSTOMER DRAWING	-	DRAWING NO	536524
				RESTRICTED TO	-
				SCALE	4:1
				SHEET	1 OF 1
				REV	P3